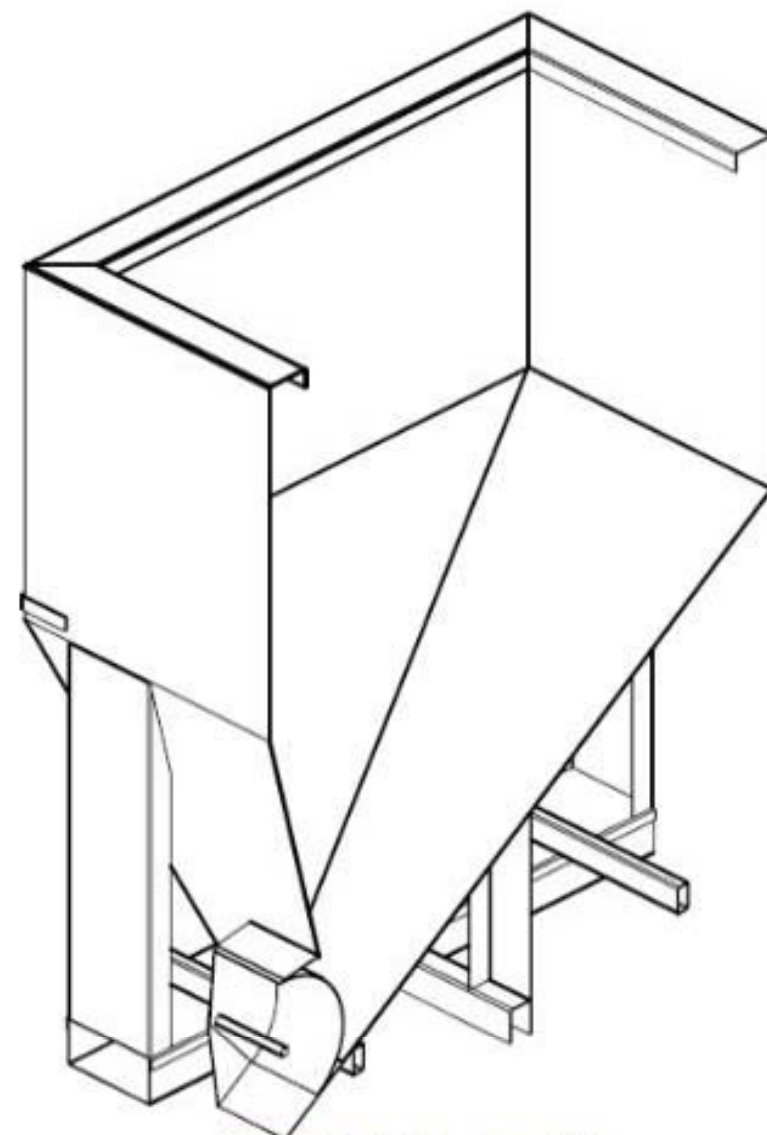


DMAS07-1-00 Stereogram



DMAS07-1-00 Profile

Volumn: 1.165M³

hot galvanized Weight 175.24 Kg