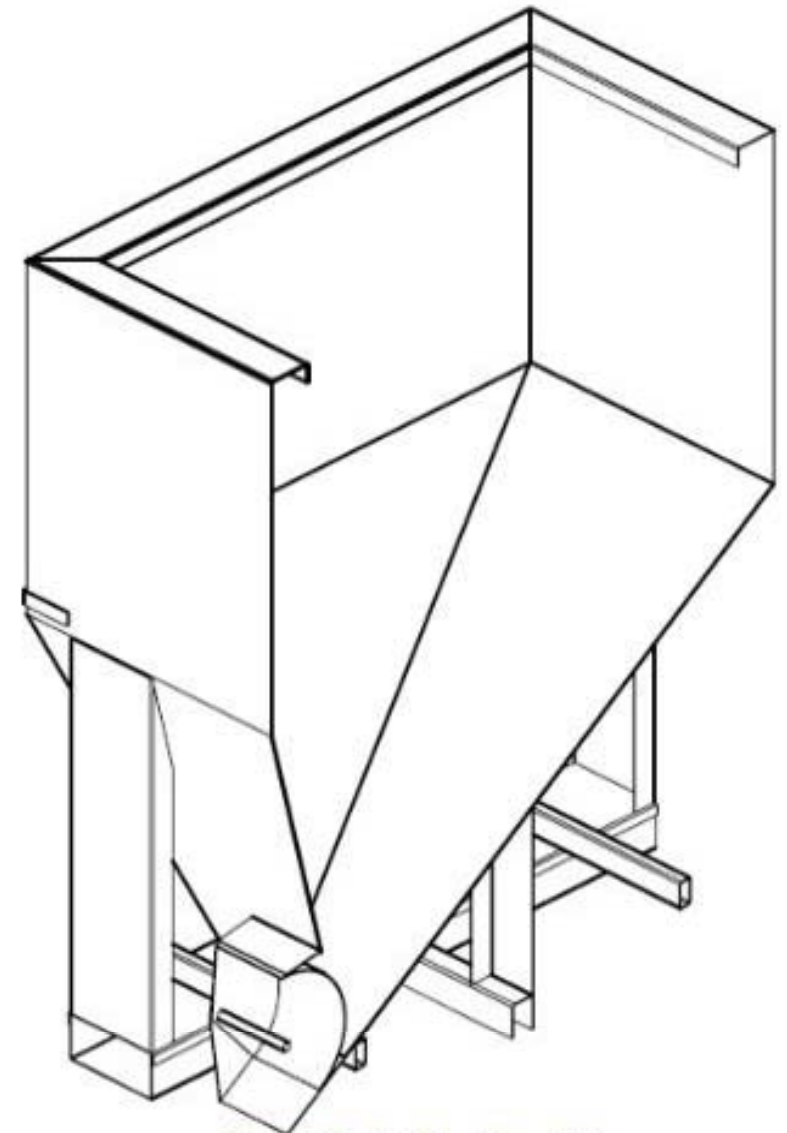


DMAS07-1-00 Stereogram

Volumn: 12.06M<sup>3</sup>

hot galvanized Weight 1244KGS



DMAS07-1-00 Profile